



T-ECOPRESS

PNEUMO-HYDRAULIC PRESS
FOR PRESSING AND MARKING

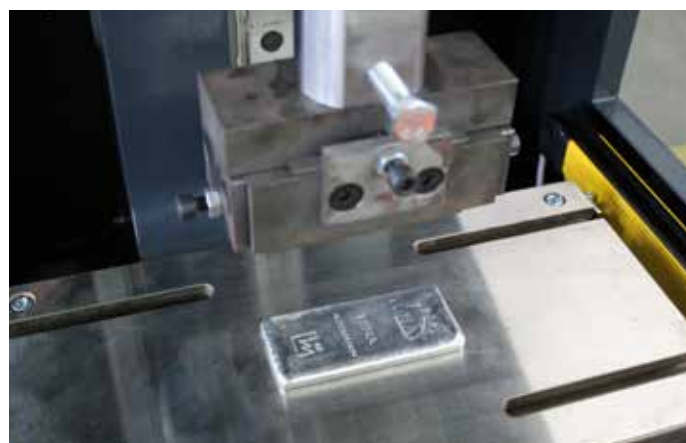
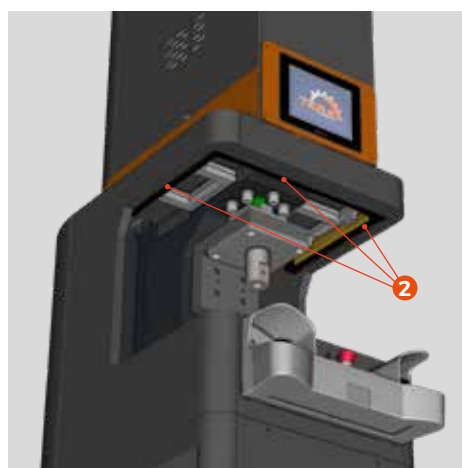
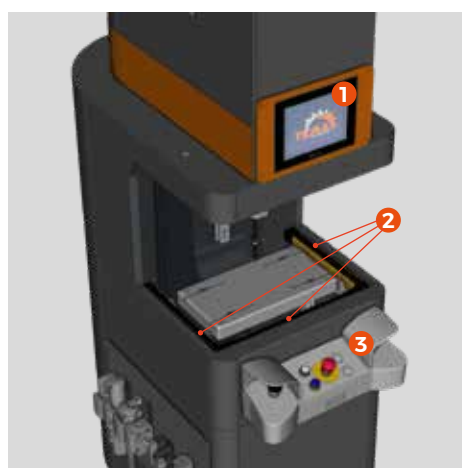
WHAT IS T-ECOPRESS

T-Ecopress™ is an innovative pneumo-hydraulic press designed for pressing and marking, characterised by a **C-shaped structure** that provides easy access to the working area.

The **absence of a hydraulic oil tank and its associated power unit/motorization** allows saving costs and significantly **reduces the environmental impact** compared to traditional hydraulic presses.

Equipped with a **touch-screen interface** for intuitive management of operating parameters, this machine offers convenience, efficiency and safety. The upper and lower **laser barriers**, combined with the **double-button manual start**, ensure a safe working environment.

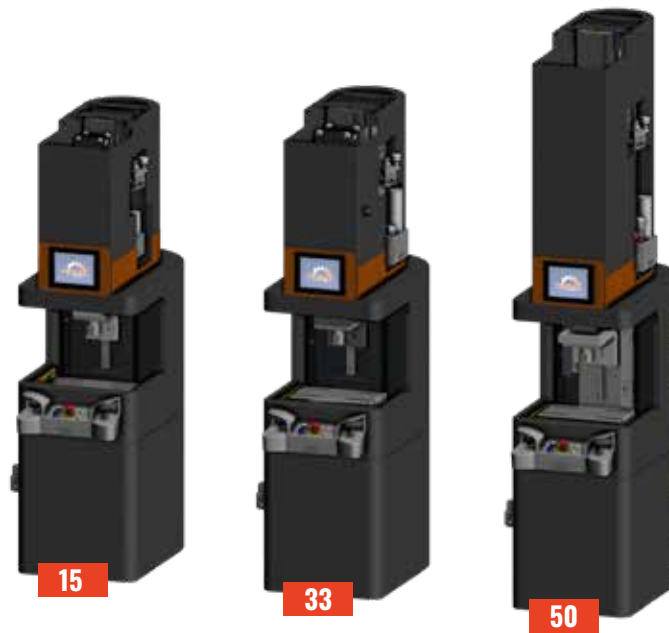
This combination of intuitive functionality, safety features, and environmental efficiency makes the press a versatile and sustainable solution for various industrial applications.



1. Touch screen 9,7"
2. Laser safety barriers
3. Manual control board with:
 - 2 push buttons for safe press operation;
 - emergency button;
 - warning light for the presence of voltage;
 - reset button.

T-ECOPRESS

PNEUMO-HYDRAULIC PRESS FOR PRESSING AND MARKING



	T-ECOPRESS 15	T-ECOPRESS 33	T-ECOPRESS 50
Dimensions (mm)	708 x 1133 x h2191	708 x 1133 x h2328	708 x 1133 x h2795
Weight	840 kg	1185 kg	1500 kg
Max pressure force at 6 bar	16,2 ton	32,7 ton	50,8 ton
Min pressure force at 2 bar	2,9 ton	5,4 ton	8,4 ton
Total stroke	150 mm	200/150 mm	200-180 mm
Working stroke	12 mm	12 mm	15 mm

