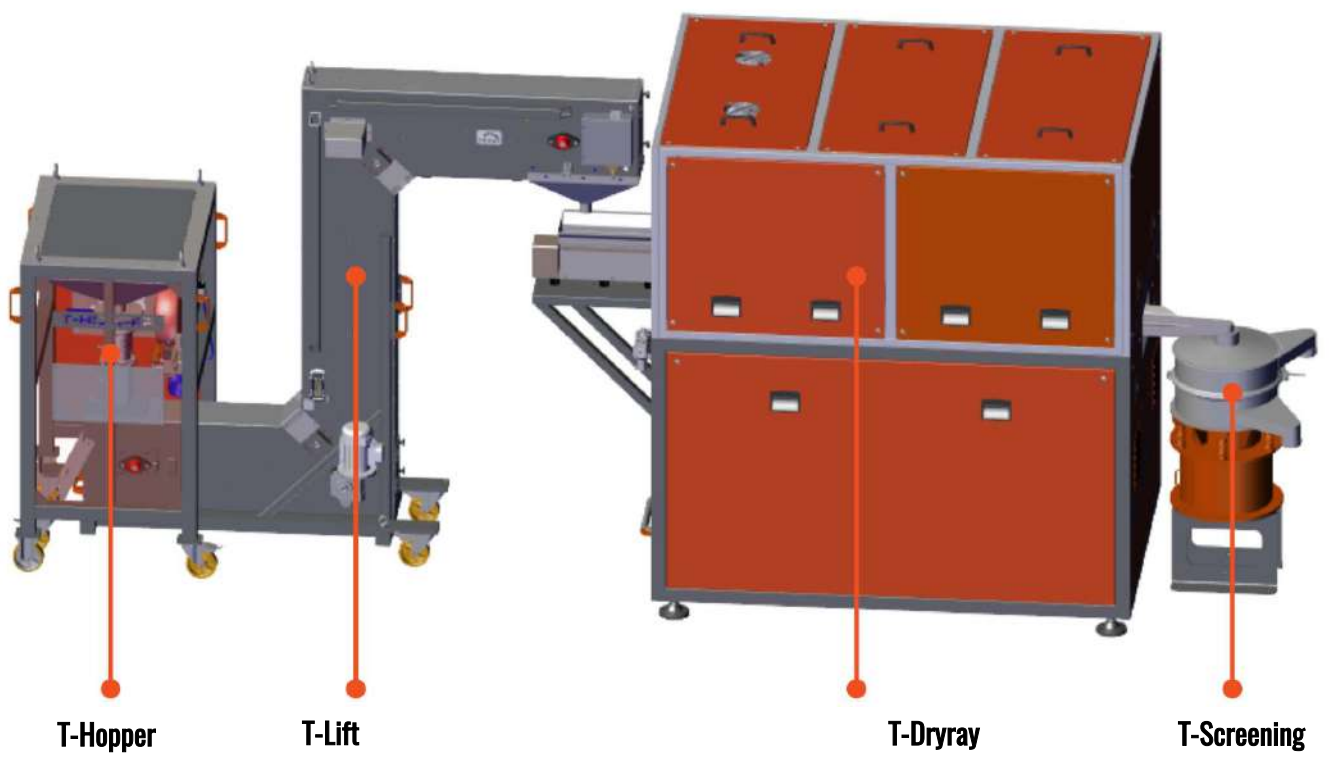


TAILORED AUTOMATION FOR THE HIGHEST ACCURACY

Each Tera Automation machine can be conceived **as part of a modular line** which can be combined according to the company's needs and facility space. **Each machine can be fitted to existing machines and a full line can be developed over time.**

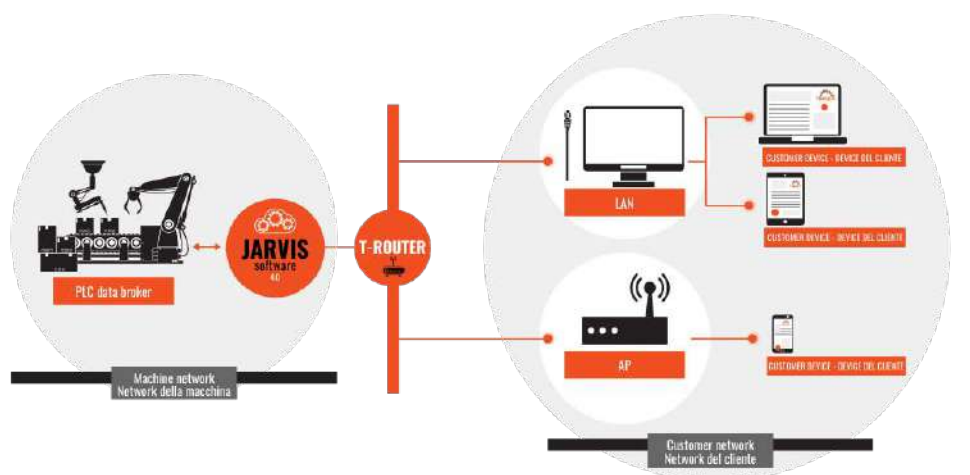
T-Dryray™ was designed with the purpose of perfectly drying grains and can be combined with other machines, according to each operator's specific needs.:



HOW TO CREATE YOUR SMART FACTORY

In smart factories data acquisition systems monitor physical processes, by creating a **virtual copy of real production** and sending accurate data to the supervisor.

JARVIS is an IT product owned by Tera Automation, which enables the **interaction and connection between machines and the company's ERP system.** While the machine works, the system creates a database with the **real-time production data**, as chosen by the client, i.e. variables related to the machine.



www.tera-automation.com



HEADQUARTERS

Via Romena 7/9, Loc. Porrena
52014, Poppi (AR)

+39 0575 536625

sales@tera-automation.com

TERA AROUND THE WORLD



- USA
- Korea & Japan
- Hong Kong
- Thailand
- India
- Turkey
- Spain



Automated system for the continuous drying of precious metal grains



Smart Manufacturing for the Future

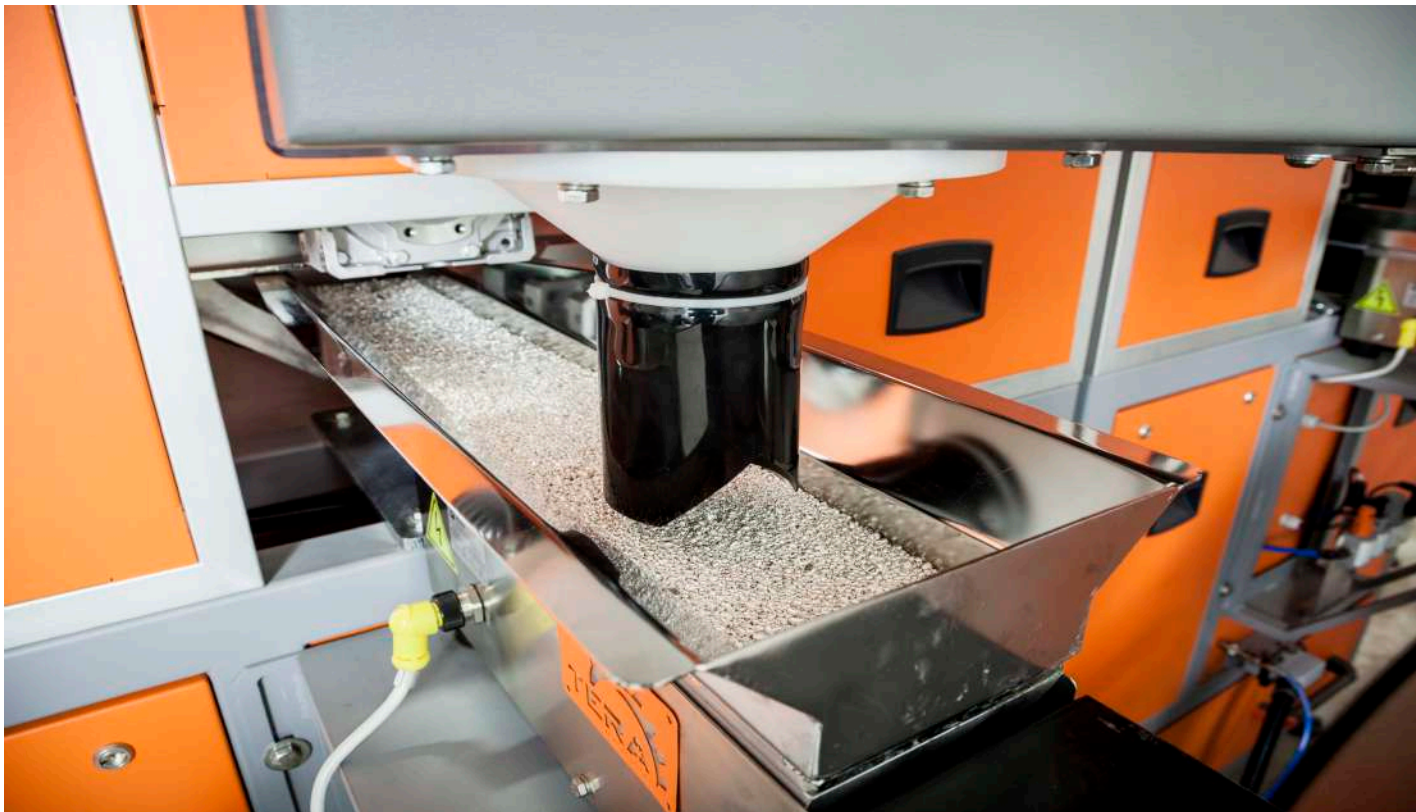
© 2010-2016. All rights reserved



forging competitive clients™



Automatic system for the continuous drying and sorting of metal grains by diameter



WHAT IS T-DRYRAY

Metal grains must be perfectly dried to produce ingots. A one-kilogram gold ingot must be made with one kilogram of actual grains, without any moisture residues. That is why Tera Automation has developed the automated system called T-Dryray™, in which grains undergo a **full drying process**.

Grains are processed continuously, thus significantly **optimizing the time** required for this very important step.

Two units can be put in parallel to process gold and silver separately.

Thanks to its great performance, the T-Dryray™ machine can be employed in any grain production line and provides a **final grain selection thanks to the T-Screening™ machine**, a **vibrating sieve** for the diameter sorting of grains.

HOW IT WORKS

Grains are loaded inside a **hopper** supplying the **vibrating inlet channel**. By vibrating, this channel moves the grains inside a **muffle**, which is heated by electrical resistance, where the drying process occurs inside a **rotating stainless steel cochlea**. This process entails the **continuous motion of grains and the evaporation of any water residue** left in the grains, thus avoiding oxidation.

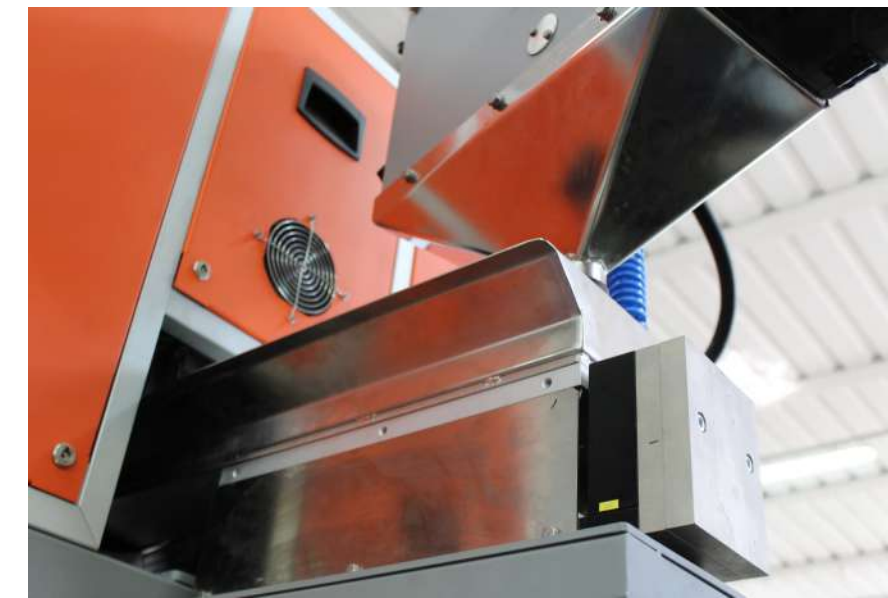
Once they are dry, grains are unloaded in the **circular vibrating sieve** called T-Screening™, whose purpose is to **sort grains by diameter**.

The T-Screening™ vibrating sieve is very easy to install and can carry out several sorting operations thanks to its grids which can be fitted into one single unit. Selected grains are gathered in designated containers or transferred to the next processing step.

THE ADVANTAGES OF AN AUTOMATED SOLUTION

- One continuous process without any waste of time
- Grains are fully dried, with no moisture residues. The water found in the grains is removed completely
- The drying process is automated and does not require the constant presence of operators
- The full grain drying equipment requires little space
- There is no metal loss
- Costs are optimized due to one single processing step

T-Dryray is available as:



Inlet vibrating channel

Metal grain automated drying system

OPTIONAL ACCESSORIES

The T-Screening™ vibrating circular sieve can separate up to 5 sizes of grains by diameter.



TECHNICAL DATA

T-Screening is available with a variable number of degrees of separation.

- An example:
- Can separate 5 sizes
 - Internal diameter: 400 mm
 - Loading hole in the cover: 100 mm (diam.)
 - Inspection hole within the cover: 90 mm (diam.)
 - Cleaning system with neoprene balls
 - Motor power: 0,5 kW
 - Dimensions (LxWxH): 460 x 500 x 580 mm
 - Weight: 130 kg approx.



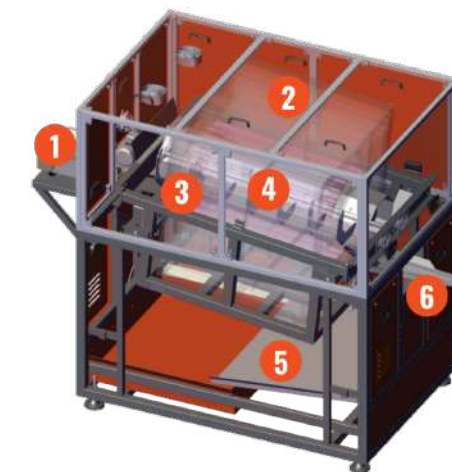
Double T-Dryray automation: two parallel units working simultaneously



Complete automation for grains drying



Outlet vibrating channel



- 1 Inlet vibrating channel
- 2 Refractory muffle
- 3 Stainless steel resistances
- 4 Rotating cochlea
- 5 Grain recovery tray
- 6 Outlet vibrating channel



Grains on the outlet vibrating channel

Version	Max abs power	Production Au-Ag (kg/h)	Voltage supply	Dimensions (LxWxH)	Weight
STANDARD	305kW	From 300 to 400 Au	400 V, 50/60 Hz	1700 x 2300 x 2800 mm	2000 Kg
		From 300 to 350 Ag			